

# ASSEMBLY INSTRUCTION

TBF-047BR

## BUTTERFLY 47" ROUND FOLDING TABLE

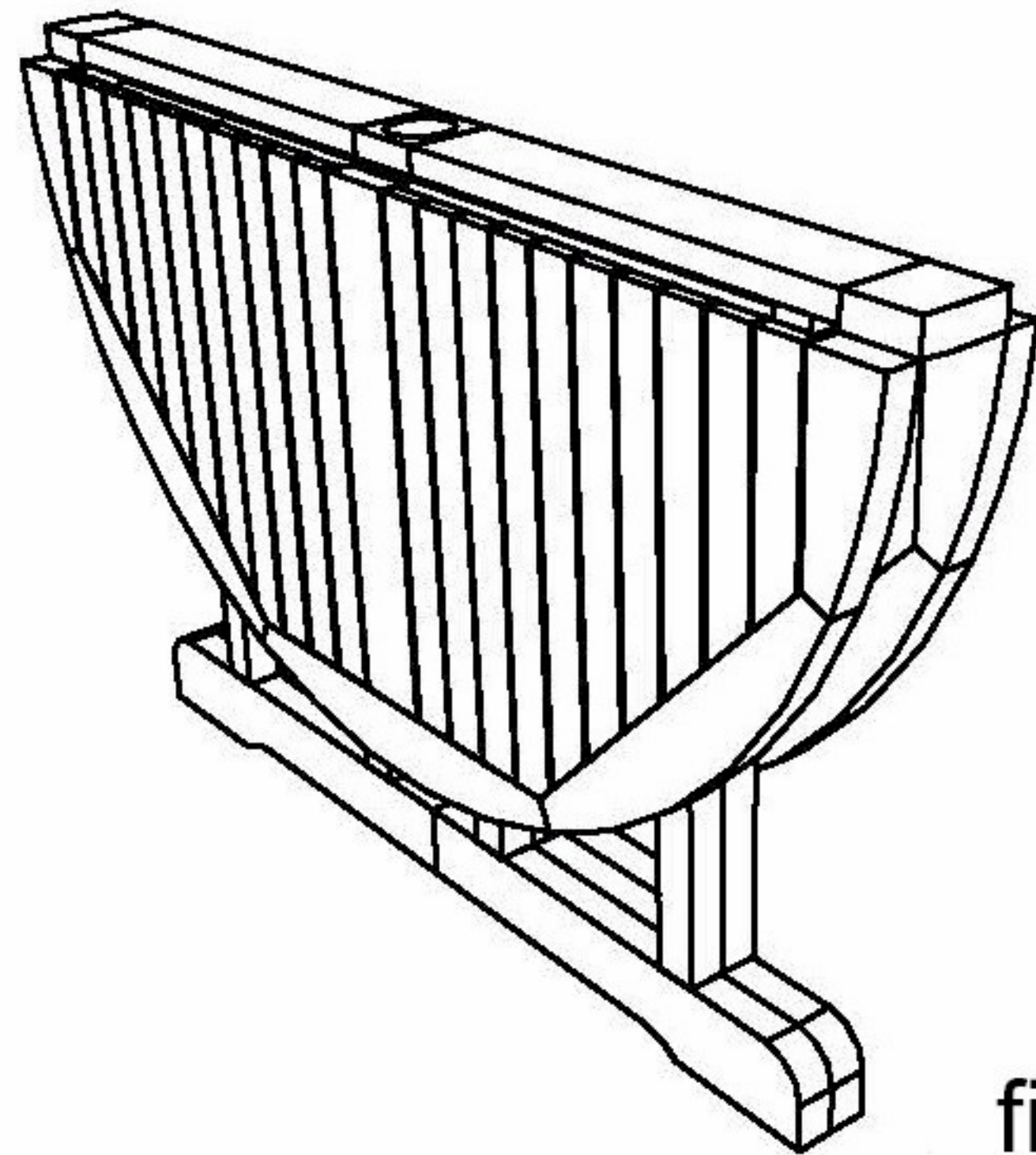


fig. 1

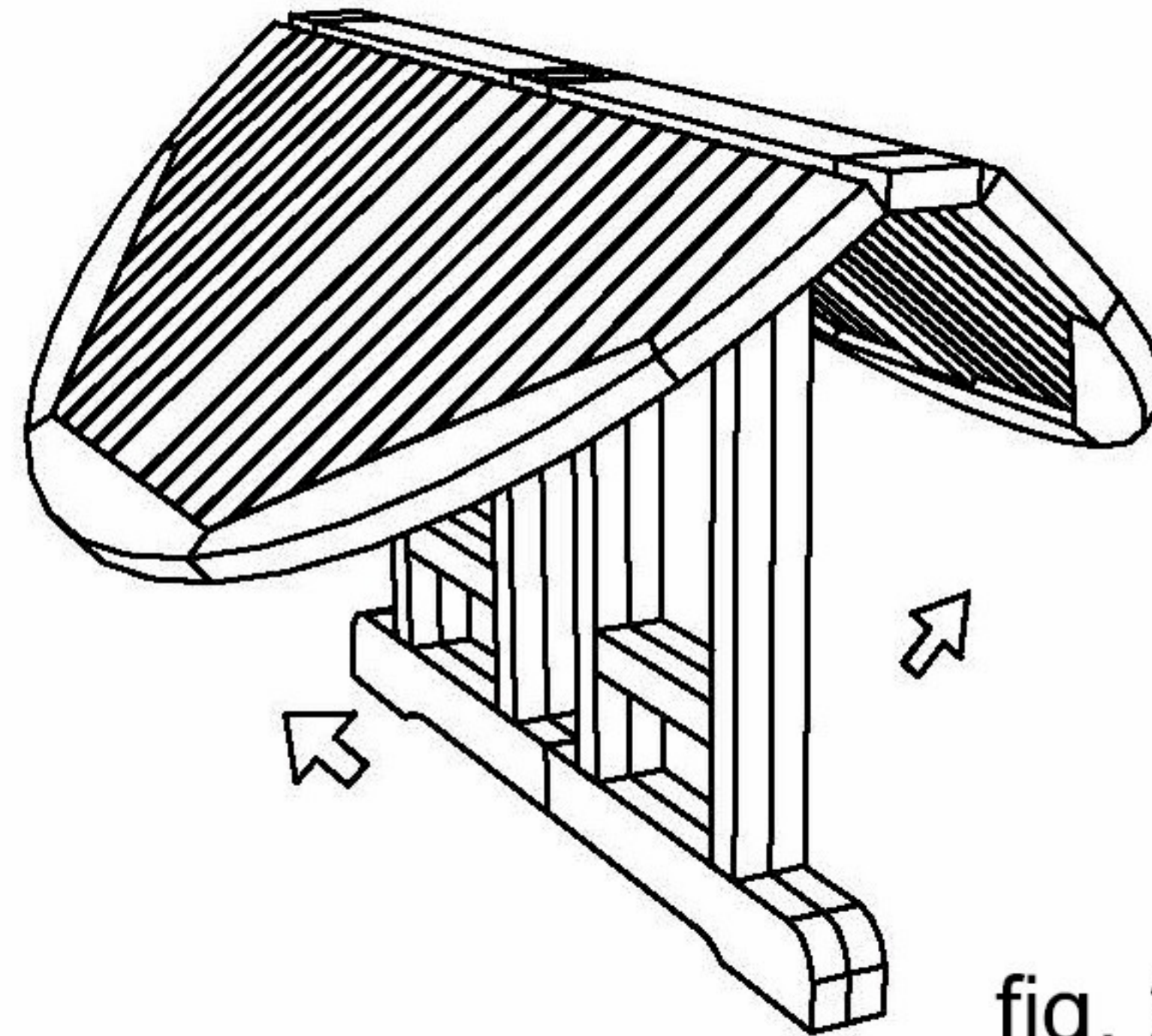


fig. 2

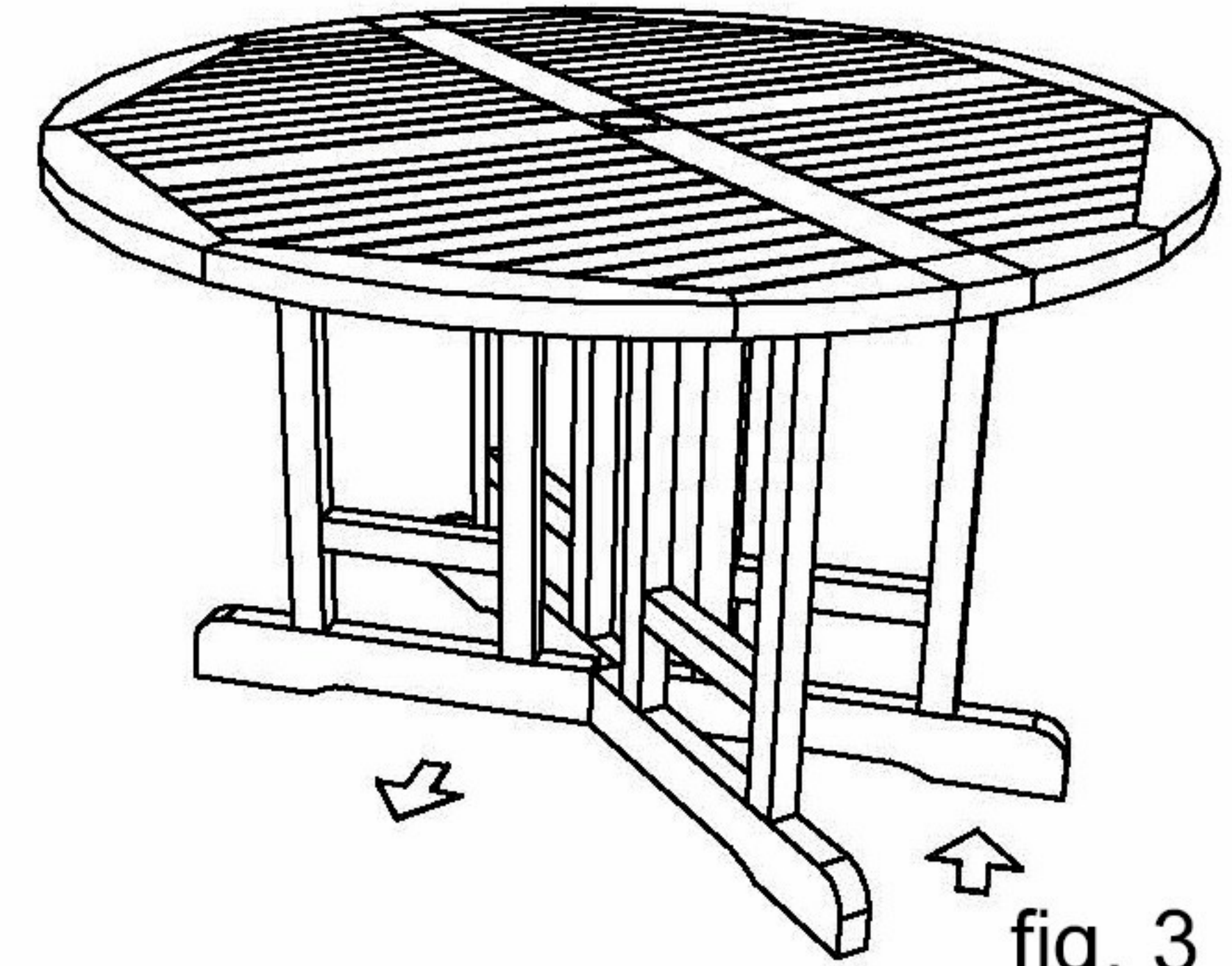


fig. 3

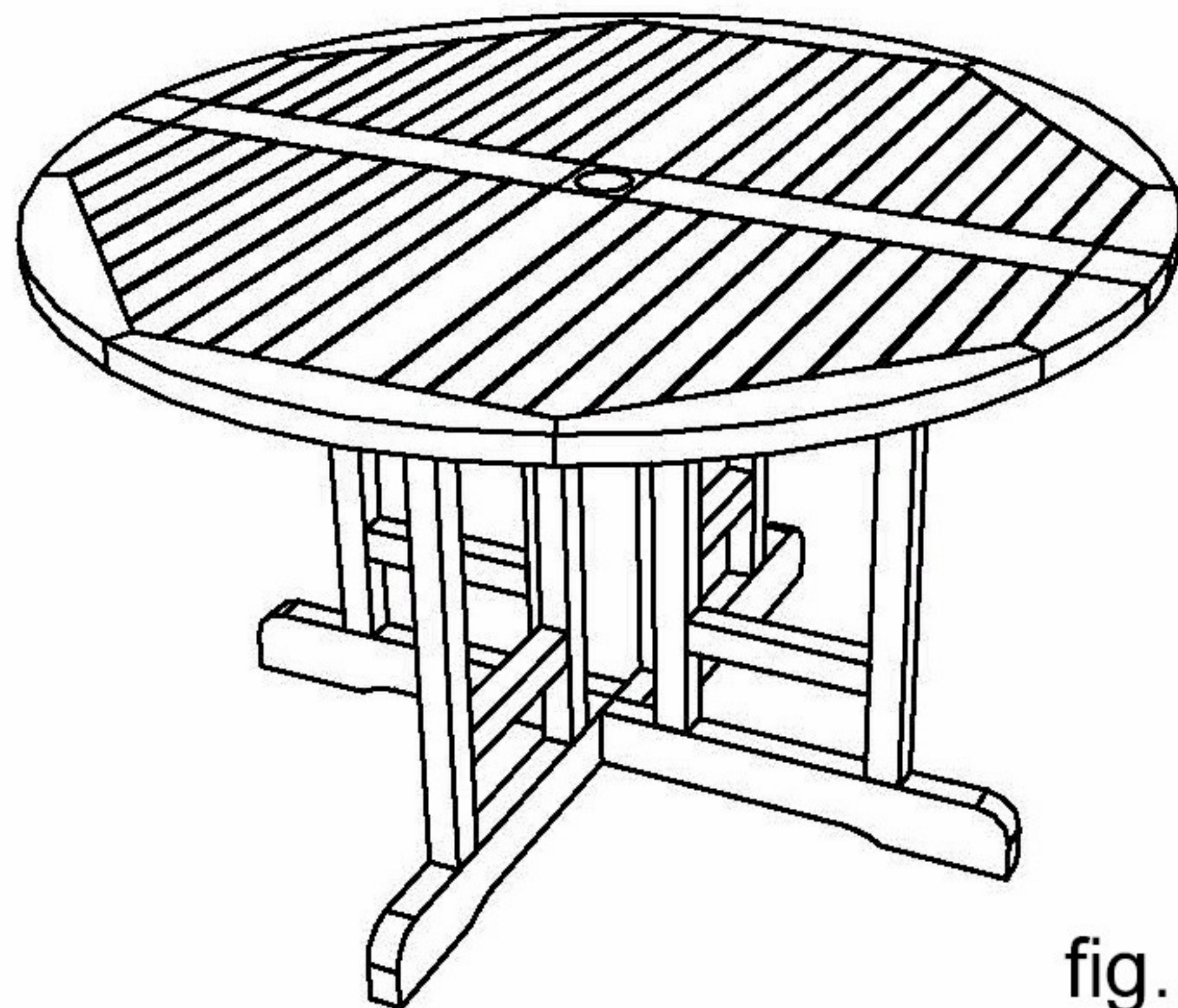


fig. 4

Parts : 1 pc folding table

Hardware packs

- 8 pcs bolt for top
- 4 pcs scaw for bottom of legs

Tools requirment :

- screw driver ( not supplied )

Assembling

1. Prepare the folding table. ( Fig. 1 )
2. Recline folding table. ( Fig. 2 )
3. Recline the folding leg. ( Fig. 3 )
4. Recline the other leg.
5. Tighten screw under the legs ( Fig. 4 )